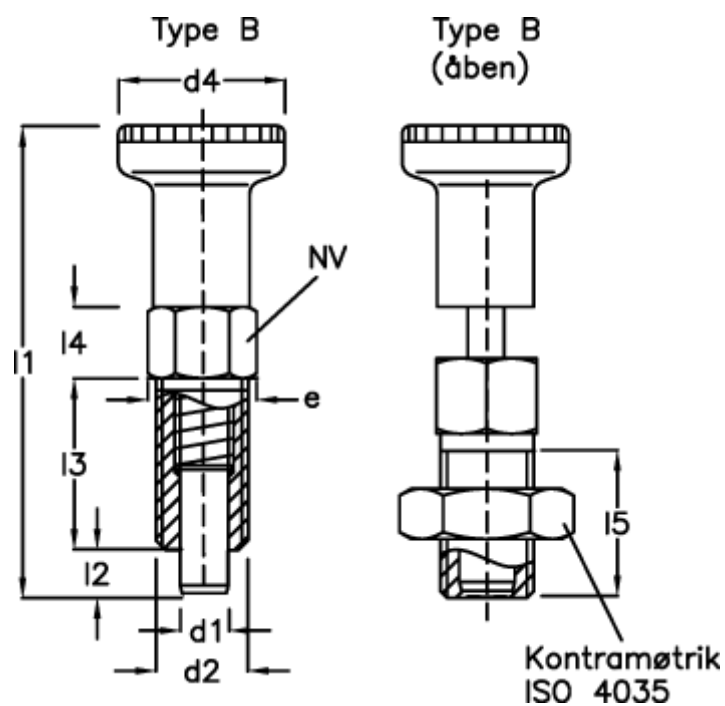


Article number: 20187022

Description: E+G

Indexing plunger GN 717-6-M10-B-ST

Measures



$d1 = 6$	$l5$	$= 17.0$
$d2 = M10$	NV	$= 10$
$d4 = 18$	Spring pressure N bottom	$= 21$
$e = 11.5$	Spring pressure N top	$= 5$
$l1 = 49.0$		
$l2 = 6$		
$l3 = 20$		
$l4 = 7.5$		